



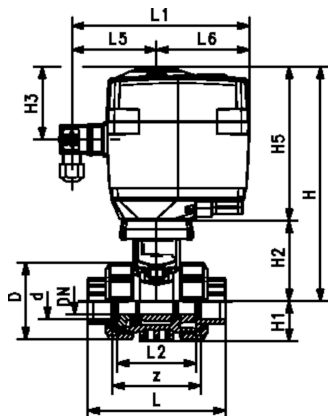
Ball valve type 127 PVC-U 100-230V
With manual emergency override
With solvent cement sockets metric

Model:

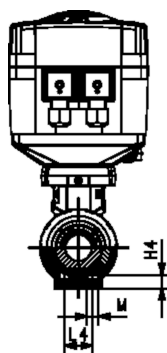
- Built on with electric actuator EA15
- Voltage 100-230V, 50-60Hz
- Factory set control range 90°<
- Heating element, position feedback (Open/Close)
- Integrated stainless steel mounting inserts

Option:

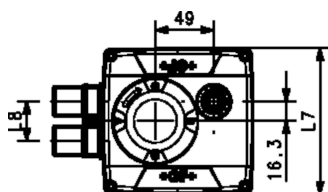
- Other valve and actuator configurations available
- Optional accessories: Fail-safe return unit



d (mm)	DN (mm)	PN (bar)	kv-value ($\Delta p=1$ bar) (l/min)	EPDM Code	Weight (kg)	FKM Code	Weight (kg)
16	10	10	70	199 127 002	2.072	199 127 012	2.072
20	15	10	185	199 127 003	2.138	199 127 013	2.072
25	20	10	350	199 127 004	2.231	199 127 014	2.232
32	25	10	700	199 127 005	2.340	199 127 015	2.189
40	32	10	1000	199 127 006	2.596	199 127 016	2.592
50	40	10	1600	199 127 007	2.829	199 127 017	2.914
63	50	10	3100	199 127 008	3.562	199 127 018	2.914



d (mm)	D (mm)	H (mm)	H1 (mm)	H2 (mm)	H3 (mm)	H4 (mm)	H5 (mm)	L (mm)	L1 (mm)	L2 (mm)	L4 (mm)	L5 (mm)	L6 (mm)	L7 (mm)	L8 (mm)
16	50	197	27	60	64	12	137	92	161	56	25	77	83	122	33
20	50	197	27	60	64	12	137	95	161	56	25	77	83	122	33
25	58	201	30	64	73	12	137	110	161	65	25	77	83	122	33
32	68	207	36	70	73	12	137	123	161	71	25	77	83	122	33
40	84	213	44	76	84	15	137	146	161	85	45	77	83	122	33
50	97	219	51	82	84	15	137	157	161	89	45	77	83	122	33
63	124	234	64	97	106	15	137	183	161	101	45	77	83	122	33



d (mm)	M	z (mm)	closest inch (inch)
16	M6	68	3/8
20	M6	67	1/2
25	M6	76	3/4
32	M6	82	1
40	M8	98	1 1/4
50	M8	99	1 1/2
63	M8	111	2

The technical data are not binding. They neither constitute expressly warranted characteristics nor guaranteed properties nor a guaranteed durability. They are subject to modification. Our General Terms of Sale apply.

Georg Fischer Piping Systems Ltd, Postfach, CH-8201 Schaffhausen/Switzerland
 Phone +41 -(0)52-631 1111
 e-mail: info.ps@georgfischer.com
 Internet: http://www.gfps.com