

SPINDLE EXTENSIONS series TV, FV

STREET BOX



TECHNICAL CHARACTERISTICS

Stem from zinc coated steel
 HDPE plastic cover
 Top and bottom caps are powder epoxy coated with 250 µm thickness



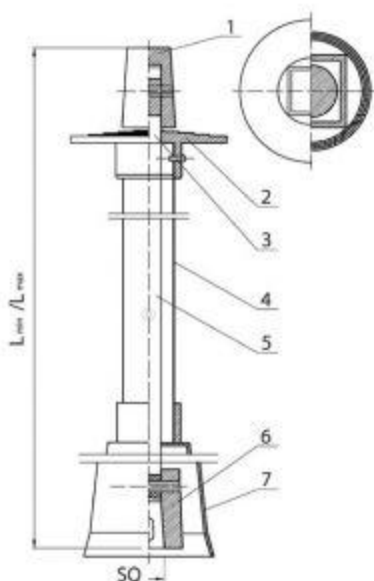
TECHNICAL CHARACTERISTICS

Body from ductile iron EN-GJL-200
 Anticorrosion painting
 Zinc coated bolt holds the cover in place (4050 version)

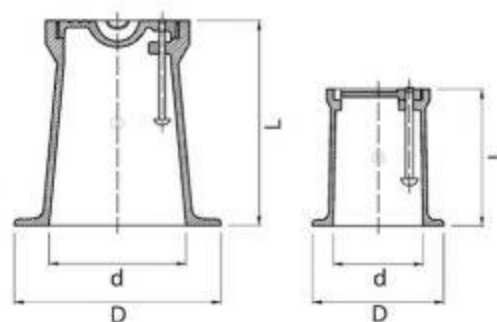
OTHER PRODUCTS

DN	SQ	Lmin	Lmax	BLUCAST ref. no.
	10.5	1300	1800	TV1318SQ10
	12	1300	1800	TV1318SQ12
25-80	14	1300	1800	TV1318SQ14
100	17	1300	1800	TV1318SQ17
150-200	19	1300	1800	TV1318SQ19
250	24	1300	1800	TV1318SQ24
300-400	27	1300	1800	TV1318SQ27
500-600	32	1300	1800	TV1318SQ32
	10.5	2000	2500	TV2025SQ10
	12	2000	2500	TV2025SQ12
25-80	14	2000	2500	TV2025SQ14
100	17	2000	2500	TV2025SQ17
150-200	19	2000	2500	TV2025SQ19
250	24	2000	2500	TV2025SQ24
300-400	27	2000	2500	TV2025SQ27
500-600	32	2000	2500	TV2025SQ32
25-600	10,5-32	600	600	FV06SQ/...
25-600	10,5-32	1000	1000	FV10SQ/...
25-600	10,5-32	1500	1500	FV15SQ/...
25-600	10,5-32	2000	2000	FV20SQ/...

	L	d	weight	BLUCAST ref. no.
small	150	110	2.9	4050
big	270	185	11	4056



No.	Item	Material
1	Top cap	EN-GJL-250
2	Flange	HDPE
3	Connector	Galvanized steel
4	Cover	HDPE
5	Telescopic spindle	Galvanized steel
6	Bottom cap	EN-GJL-250
7	Bell	HDPE



All illustrations, technical data, dimensions (in mm) and weights (all weights specified in kg) are non-binding and are subject to change