

GATE VALVE

for electric actuator PN16 (F4) series 115E



APPLICATION

Flanged gate valve for drinking water and neutral liquids up to 70°C

DESIGN FEATURES

Non rising stainless steel stem	Guided wedge to ensure correct sealing
Full bore	100% watertight
Low closing torque	No zones of retention
Clockwise closing	ISO5210 top flange for mounting an actuator

TECHNICAL CHARACTERISTICS

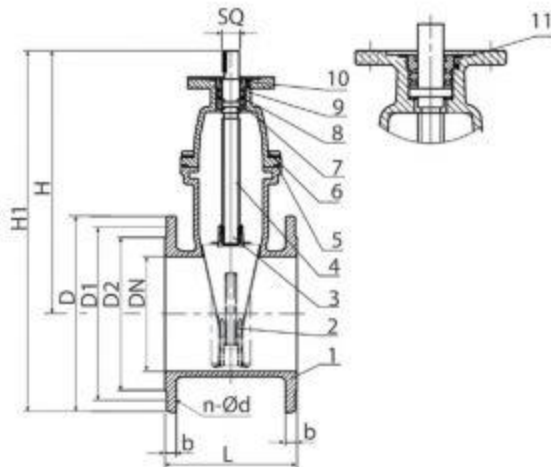
ACS certificate number - 18 ACC LY 702
 Design in accordance to EN1074 and EN1171
 Face to face dimensions according to EN 558-1 series 14 and DIN3202 (F4)
 Flange end connections according to EN1092-2: PN10&PN16
 Top flange connection according to ISO5210
 Maximum working pressure: PN16 / 16 bar
 Working temperature: 0°C - +70°C
 Fully vulcanized wedge in EPDM according to EN681
 Stainless steel bolts
 Color RAL5015
 Powder epoxy coating at least 250 µm thickness

OPERATING



GATE VALVES

DN	Flange drilling	L	H	H1	D	D1	D2	b	Top flange size ISO5210	n-Ød	SQ	Torque (Nm)	KG	BLUCAST ref. no.
50	PN10/16	150	230	312,5	165	125	99	16	4-Ø19	F10	20	40	10,2	115E050
65	PN10/16	170	265	357,5	185	145	118	16	4-Ø19	F10	20	60	12,1	115E065
80	PN10/16	180	290	390	200	160	132	16	8-Ø19	F10	20	60	14,1	115E080
100	PN10/16	190	335	445	220	180	156	16	8-Ø19	F10	20	80	24,7	115E100
125	PN10/16	200	380	505	250	210	184	16	8-Ø19	F10	20	100	29	115E125
150	PN10/16	210	415	557,5	285	240	211	16	8-Ø23	F10	20	125	33,1	115E150
200	PN10	230	510	680	340	295	266	17	8-Ø23	F14	30	150	59,2	115E200
200	PN16	230	510	680	340	295	266	17	12-Ø23	F14	30	150	59,2	115EP200
250	PN10	250	600	800	400	350	319	19	12-Ø23	F14	30	200	81	115E250
250	PN16	250	600	800	400	355	319	19	12-Ø28	F14	30	200	81	115EP250
300	PN10	270	690	917,5	455	400	370	20,5	12-Ø23	F14	30	250	114	115E300
300	PN16	270	690	917,5	455	410	370	20,5	12-Ø28	F14	30	250	114	115EP300
350	PN10	290	790	1042,5	505	460	429	22,5	16-Ø23	F14	30	300	174	115E350
350	PN16	290	790	1050	520	470	429	22,5	16-Ø28	F14	30	300	174	115EP350
400	PN10	310	855	1137,5	565	515	480	24	16-Ø28	F14	30	350	221	115E400
400	PN16	310	855	1145	580	525	480	24	16-Ø31	F14	30	350	221	115EP400
500	PN10	350	1072	1407	670	620	582	31,5	20-Ø28	F16	35	500	379	115E500
500	PN16	350	1072	1429,5	715	650	609	31,5	20-Ø34	F16	35	500	379	115EP500
600	PN10	390	1228	1618	780	725	682	36	20-Ø31	F16	35	650	597	115E600
600	PN16	390	1228	1648	840	770	720	36	20-Ø37	F16	35	650	597	115EP600



No.	Item	Material
1	Body	EN-GJS-500-7
2	Wedge	EN-GJS-500-7, EPDM
3	Stem Nut	Brass
4	Stem	AISI420
5	Sealing Gasket	EPDM
6	Bonnet	EN-GJS-500-7
7	Locating ring	Brass
8	O ring	EPDM
9	O ring	EPDM
10	Seal	Brass
11	Bolt	AISI304

All illustrations, technical data, dimensions (in mm) and weights (all weights specified in kg) are non-binding and are subject to change

