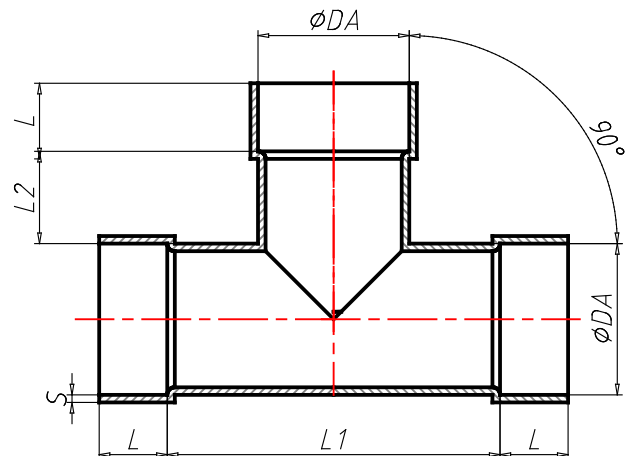


Data sheet HoKa PVC 90° branch outlet with sockets Ø 250 mm

Specification

HOKA PVC 90° branch outlet socket plastic formed part round with interior stop for connecting pipes in an exhaust system by welding process. Socket inside diameter on the basis of DIN 8062, manufacturing process: Ø 50 to 315 mm injection moulding, from Ø 355 mm made of semi-finished products Negative overpressure upon request according to mechanical, chemical and thermal load.



Order number (CNSORDERNO)	3000401H
Article (ART)	HoKa PVC 90° branch outlet with sockets Ø 250 mm
Weight (CNSTMASSEXACT)	1.526
Material (CNSMAT)	PVC
Color (FAR)	RAL 7011
Diameter (DA)	250
Angle (W)	90
Length (L)	40
Length (L1)	280
Length (L2)	12
Tolerance Ø (TOL)	0.5
Thickness (S)	2.5
Bemerkung (HINT)	The specified dimensions are installation dimensions