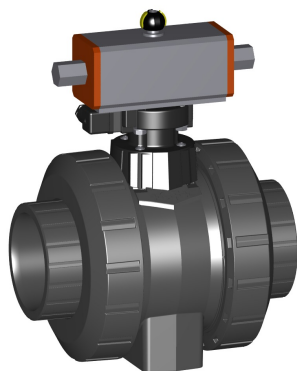


DN10/15 - 50



**Ball valve type 230 PVC-U DA (Double acting)**  
**Without manual override**  
**With solvent cement sockets metric**

**Model:**

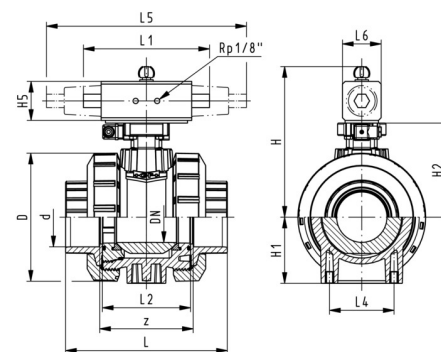
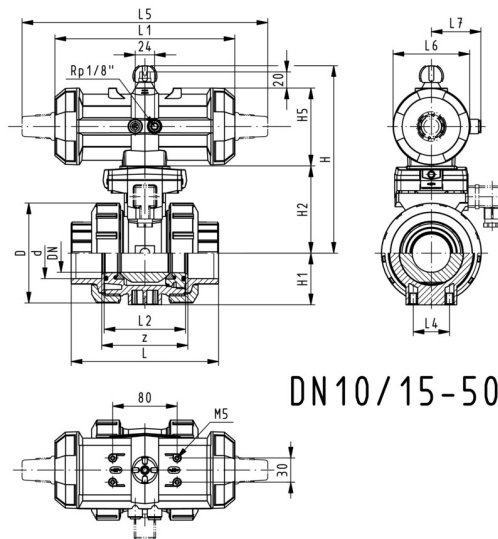
- Control time 90° < 1-2s
- Assignment of actuators: PA11 (DN10/15-25), PA21 (DN32-50), PA35 (DN65), PA40 (DN80), PA45 (DN100)
- For easy installation and removal
- Integrated stainless steel mounting inserts

**Option:**

- Individual configuration of the valve (see diagram)

d	DN	PN	kv-value	EPDM	SP	Weight	FKM	SP	Weight
(mm)	(mm)	(bar)	( $\Delta p=1$ bar)	Code		(kg)	Code		(kg)
			(L/min)						
16	10	10	70	199 230 202	1	0.805	199 230 212	0	1.159
20	15	10	185	199 230 203	1	0.807	199 230 213	0	1.159
25	20	10	350	199 230 204	1	0.902	199 230 214	1	1.276
32	25	10	700	199 230 205	1	1.400	199 230 215	1	1.400
40	32	10	1000	199 230 206	1	1.691	199 230 216	1	2.451
50	40	10	1600	199 230 207	1	1.919	199 230 217	1	2.773
63	50	10	3100	199 230 208	1	2.651	199 230 218	1	2.673
75	65	10	5000	199 230 209	1	6.600	199 230 219	1	6.600
90	80	10	7000	199 230 210	1	9.500	199 230 220	1	9.500
110	100	10	11000	199 230 211	1	13.700	199 230 221	1	13.700

d	D	H	H1	H2	H5	L	L1	L2	L4	L5	L6	L7	z	closest inch
(mm)	(mm)	(mm)	(mm)	(mm)	(mm)	(mm)	(mm)	(mm)	(mm)	(mm)	(mm)	(mm)	(mm)	(inch)
16	50	159	27	62	77	92	194	56	25	261	76	48	64	3/8
20	50	159	27	62	77	95	194	56	25	261	76	48	64	1/2
25	58	168	30	71	77	110	194	65	25	261	76	48	72	3/4
32	68	168	36	71	77	123	194	71	25	261	76	48	79	1
40	84	202	44	84	99	146	224	85	45	305	95	59	94	1 1/4
50	97	202	51	84	99	157	224	89	45	305	95	59	95	1 1/2
63	124	225	64	106	99	183	224	101	45	305	95	59	107	2
75	166	257	85	156	66	233	144	136	70		60		144	2 1/2
90	200	274	105	168	70	254	152	141	70		65		151	3
110	238	273	123	175	78	301	169	164	120		72		174	4



# Data sheet

valid from: 6/30/17

---



The technical data are not binding. They neither constitute expressly warranted characteristics nor guaranteed properties nor a guaranteed durability. They are subject to modification. Our General Terms of Sale apply.

Georg Fischer Piping Systems Ltd, Postfach, CH-8201 Schaffhausen/Switzerland

Phone +41 -(0)52-631 1111

e-mail: [info.ps@georgfischer.com](mailto:info.ps@georgfischer.com)

Internet: <http://www.gfps.com>