



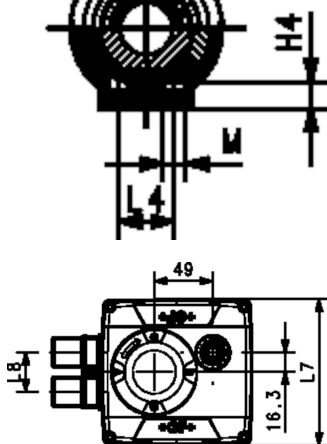
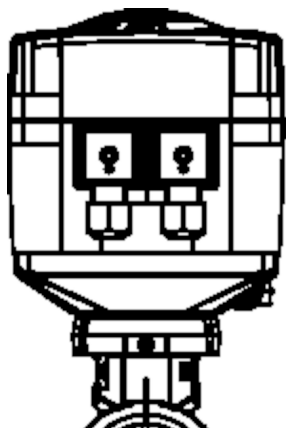
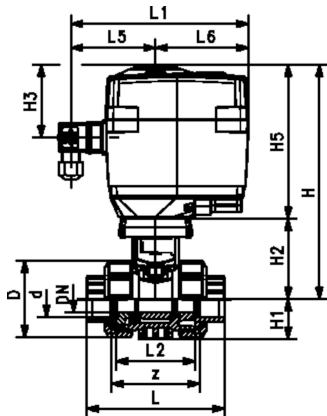
Ball valve type 179 PVC-U 24V
With manual emergency override
With solvent cement sockets metric

Model:

- Voltage 24V AC/DC
- Factory set control range 90°<
- Heating element, position feedback (Open/Close/ Middle)
- Integrated stainless steel mounting inserts

Option:

- Other valve and actuator configurations available
- Optional accessories: Fail-safe return unit, Monitoring board, Position controller, Profibus DP board



d (mm)	DN (mm)	PN (bar)	kv-value (Δp=1 bar) (l/min)	EA	EPDM Code	Weight (kg)	FKM Code	Weight (kg)
16	10	10	70	EA25	199 179 042	3.112	199 179 052	2.100
20	15	10	185	EA25	199 179 043	2.447	199 179 053	2.100
25	20	10	350	EA25	199 179 044	2.542	199 179 054	2.543
32	25	10	700	EA25	199 179 045	2.645	199 179 055	2.647
40	32	10	1000	EA25	199 179 046	2.905	199 179 056	2.600
50	40	10	1600	EA25	199 179 047	3.000	199 179 057	3.144
63	50	10	3100	EA25	199 179 048	3.880	199 179 058	3.886
75	65	10	5000	EA45	199 179 049	7.531	199 179 059	7.400
90	80	10	7000	EA120	199 179 050	9.800	199 179 060	9.800
110	100	10	11000	EA120	199 179 051	14.100	199 179 061	14.100

d (mm)	D (mm)	H (mm)	H1 (mm)	H2 (mm)	H3 (mm)	H4 (mm)	H5 (mm)	L (mm)	L1 (mm)	L2 (mm)	L4 (mm)	L5 (mm)	L6 (mm)	L7 (mm)	M
16	50	227	27	60	94	12	167	92	180	56	25	97	83	122	M6
20	50	227	27	60	94	12	167	95	180	56	25	97	83	122	M6
25	58	231	30	64	94	12	167	110	180	65	25	97	83	122	M6
32	68	237	36	70	94	12	167	123	180	71	25	97	83	122	M6
40	84	243	44	76	94	15	167	146	180	85	45	97	83	122	M8
50	97	249	51	82	94	15	167	157	180	89	45	97	83	122	M8
63	124	264	64	97	94	15	167	183	180	101	45	97	83	122	M8
75	166	323	85	156	94	15	167	233	180	136	70	98	82	122	M8
90	200	335	105	168	94	15	167	255	180	141	70	98	82	122	M8
110	238	342	123	175	94	22	168	301	180	164	120	98	82	122	M12

d (mm)	z (mm)	closest inch (inch)
16	68	3/8
20	67	1/2
25	76	3/4
32	82	1
40	98	1 1/4
50	99	1 1/2
63	111	2
75	148	2 1/2
90	156	3
110	178	4

The technical data are not binding. They neither constitute expressly warranted characteristics nor guaranteed properties nor a guaranteed durability. They are subject to modification. Our General Terms of Sale apply.

Data sheet

valid from: 7/12/19



Georg Fischer Piping Systems Ltd, Postfach, CH-8201 Schaffhausen/Switzerland

Phone +41 -(0)52-631 1111

e-mail: info.ps@georgfischer.com

Internet: <http://www.gfps.com>