



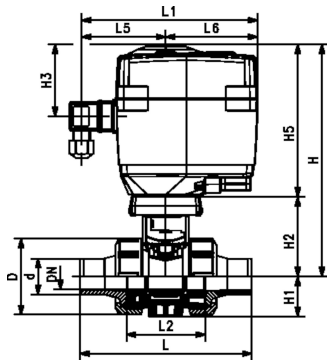
Ball valve type 127 PVC-U 24V
With manual emergency override
With solvent cement sockets metric

Model:

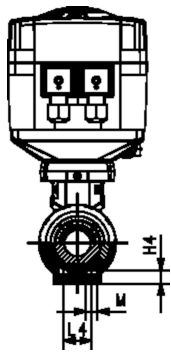
- Built on with electric actuator EA15
- Voltage 24V AC/DC
- Factory set control range 90°<
- Heating element, position feedback (Open/Close)
- Integrated stainless steel mounting inserts

Option:

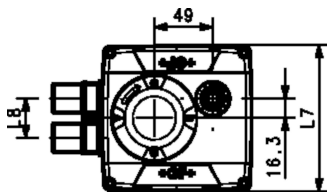
- Other valve and actuator configurations available
- Optional accessories: Fail-safe return unit



d (mm)	DN (mm)	PN (bar)	kv-value ($\Delta p=1$ bar) (l/min)	EPDM Code	Weight (kg)	FKM Code	Weight (kg)
16	10	10	70	199 127 042	2.122	199 127 052	2.072
20	15	10	185	199 127 043	2.122	199 127 053	2.125
25	20	10	350	199 127 044	2.216	199 127 054	2.860
32	25	10	700	199 127 045	2.321	199 127 055	2.189
40	32	10	1000	199 127 046	3.831	199 127 056	2.592
50	40	10	1600	199 127 047	2.809	199 127 057	3.437
63	50	10	3100	199 127 048	3.547	199 127 058	3.772



d (mm)	D (mm)	H (mm)	H1 (mm)	H2 (mm)	H3 (mm)	H4 (mm)	H5 (mm)	L (mm)	L1 (mm)	L2 (mm)	L4 (mm)	L5 (mm)	L6 (mm)	L7 (mm)	L8 (mm)
16	50	197	27	60	64	12	137	92	161	56	25	77	83	122	33
20	50	197	27	60	64	12	137	95	161	56	25	77	83	122	33
25	58	201	30	64	73	12	137	110	161	65	25	77	83	122	33
32	68	207	36	70	73	12	137	123	161	71	25	77	83	122	33
40	84	213	44	76	84	12	137	146	161	85	45	77	83	122	33
50	97	219	51	82	84	12	137	157	161	89	45	77	83	122	33
63	124	234	64	97	106	12	137	183	161	101	45	77	83	122	33



d (mm)	M	z (mm)	closest inch (inch)
16	M6	68	3/8
20	M6	67	1/2
25	M6	76	3/4
32	M6	82	1
40	M8	98	1 1/4
50	M8	99	1 1/2
63	M8	111	2

The technical data are not binding. They neither constitute expressly warranted characteristics nor guaranteed properties nor a guaranteed durability. They are subject to modification. Our General Terms of Sale apply.

Georg Fischer Piping Systems Ltd, Postfach, CH-8201 Schaffhausen/Switzerland

Phone +41 -(0)52-631 1111

e-mail: info.ps@georgfischer.com

Internet: <http://www.gfps.com>