



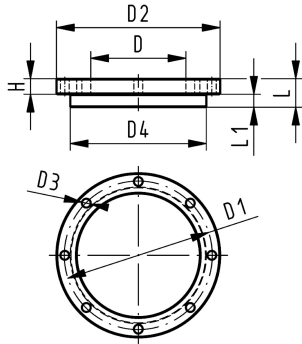
Blanking flange set PE Combined jointing face flat and serrated metric

Model:

- d63 - d315: backing flange PP-V with end blank PE
- d355 - d630: backing flange PP/Steel with end blank PE
- Connecting dimensions: ISO 7005, EN 1092, DIN 2501
- **Bolt circle PN 10**

AL: number of holes

L: length of the End Blank



d (mm)	DN (mm)	PN (bar)	Code	SP	Weight (kg)
63	50	16	753 700 611	1	0.674
75	65	16	753 700 612	1	0.910
90	80	16	753 700 613	1	0.921
110	100	16	753 700 614	1	1.158
125	100	16	753 700 615	1	1.678
140	125	16	753 700 616	1	1.913
160	150	16	753 700 617	1	2.373
180	150	16	753 700 618	1	2.430
200	200	16	753 700 619	1	3.495
225	200	16	753 700 620	1	3.744
250	250	16	753 700 621	1	6.051
280	250	16	753 700 622	1	6.305
315	300	16	753 700 623	1	8.894
355	350	16	753 700 624	1	23.198
400	400	16	753 700 625	1	30.766
450	500	10	753 700 626	1	44.271
500	500	10	753 700 627	1	47.165
560	600	10	753 700 628	1	67.147
630	600	10	753 700 629	1	68.574

d (mm)	D (mm)	D1 (mm)	D2 (mm)	D3 (mm)	D4 (mm)	L (mm)	L1 (mm)	H (mm)	AL	SC
63	75	125	165	18	102	30	14	24	4	M16
75	89	145	185	18	122	30	16	26	4	M16
90	105	160	200	18	138	30	17	27	8	M16
110	125	180	220	18	158	30	18	28	8	M16
125	132	180	220	18	158	35	25	28	8	M16
140	155	210	250	18	188	40	25	30	8	M16
160	175	240	285	22	212	40	25	32	8	M20
180	180	240	285	22	212	45	30	32	8	M20
200	232	295	340	22	268	50	32	34	8	M20
225	235	295	340	22	268	50	32	34	8	M20
250	285	350	395	22	320	55	35	38	12	M20
280	291	350	395	22	320	60	35	38	12	M20
315	335	400	445	22	370	65	35	42	12	M20
355	373	460	515	22	430	70	40	40	16	M20
400	427	515	574	26	482	75	46	40	16	M24
450	510	620	684	26	585	80	60	49	20	M24
500	530	620	684	26	585	90	60	49	20	M24
560	615	725	796	30	685	100	60	58	20	M27
630	642	725	796	30	685	110	60	68	20	M27

The technical data are not binding. They neither constitute expressly warranted characteristics nor guaranteed properties nor a guaranteed durability. They are subject to modification. Our General Terms of Sale apply.

Datasheet

valid from: 11/28/15



Georg Fischer Piping Systems Ltd, Postfach, CH-8201 Schaffhausen/Switzerland

Phone +41 -(0)52-631 1111

e-mail: info.ps@georgfischer.com

Internet: <http://www.gfps.com>