

## SYGEF Standard Wafer check valve type 369 Without spring

### Model:

- Material: PVDF
- Supporting eyelets for simple fitting
- Suitable for vertical and horizontal mounting

### Installation instruction:

- Installation between ISO/DIN (all dimensions) and ANSI flange adaptors (all except DN32 and DN125)
- Installation with ANSI flange adaptor: for wafer check valves DN40 to DN80 you have to use ANSI flange adaptors with the next bigger dimension (example DN40 wafer check valve between DN50 ANSI flange adaptor)
- Centering by body diameter (ISO/DIN by D3, ANSI by D)
- Sealing with special flange gasket (except DN32, o-ring)
- A stabilizing zone of at least 5 times nominal diameter (DN) should be provided before and after the wafer check valve (10 times DN is recommended)
- No direct installation on pump flange or following bend allowed
- Wafer check valves without reset spring are not recommended for pulsating flows (production of noise)

### Note:

In order to install the wafer check valves properly, Georg Fischer recommends flange adaptors of the next larger diameter of the valve (e.g. wafer check valve d90 with two flange adaptors d110)

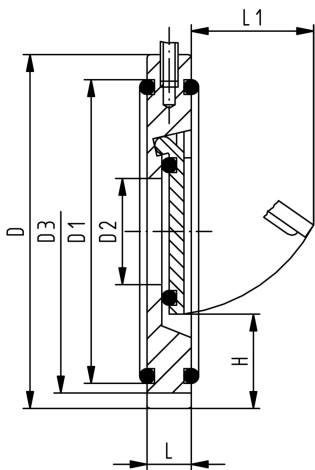
d [mm]	DN [mm]	PN [bar]	FPM Code	SP	Weight [kg]
40	32	10	175 369 022	1	0.133
50	40	10	175 369 023	1	0.184
63	50	10	175 369 024	1	0.272
75	65	10	175 369 025	1	0.410
90	80	10	175 369 026	1	0.508
110	100	10	175 369 027	1	0.722
140	125	10	175 369 029	1	0.991
160	150	6	175 369 030	1	1.418
225	200	6	175 369 031	1	2.710
280	250	6	175 369 032	1	4.520
315	300	6	175 369 033	1	6.900

d [mm]	D [mm]	D1 [mm]	D2 [mm]	D3 [mm]	H [mm]	L [mm]	L1 [mm]	Opening pressure vertical [mbar]	Opening pressure hor- izontal [mbar]	Tightness from water column [m]
40	85	59	18	85	25	15	22	10	1	2
50	105	74	22	95	27	16	27	10	1	2
63	124	90	32	109	29	18	40	10	1	2
75	137	110	40	129	31	20	55	10	1	2
90	175	125	54	144	32	20	67	10	1	2
110	175	150	70	164	31	23	67	10	1	2
140	195	178	92	195	35	23	94	10	1	2
160	222	192	105	220	41	26	100	10	1	2
225	279	256	154	275	38	35	152	18	1	2
280	340	306	192	330	41	40	180	18	1	2
315	410	342	227	380	41	45	215	18	1	2

d [mm]	closest inch [inch]
40	1 ¼
50	1 ½
63	2
75	2 ½

# Datasheet

valid from: 7/6/15



d [mm]	closest inch [inch]	
90	3	
110	4	
140	5	
160	6	
225	8	
280	10	
315	12	

The technical data are not binding. They neither constitute expressly warranted characteristics nor guaranteed properties nor a guaranteed durability. They are subject to modification. Our General Terms of Sale apply.

Georg Fischer Piping Systems Ltd, Postfach, CH-8201 Schaffhausen/Switzerland  
Phone +41 -(0)52-631 1111  
e-mail: [info.ps@georgfischer.com](mailto:info.ps@georgfischer.com)  
Internet: <http://www.gfps.com>