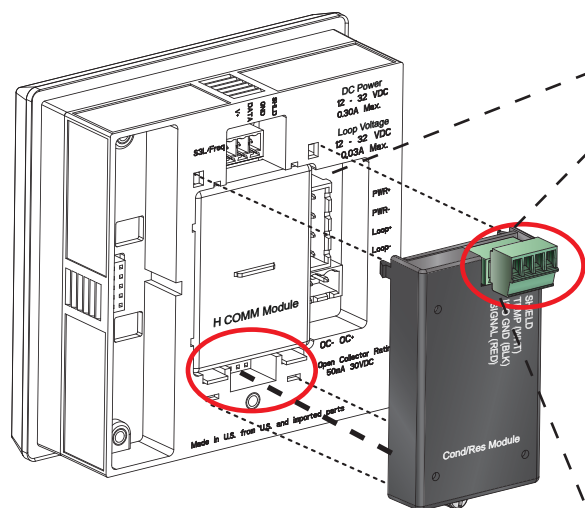


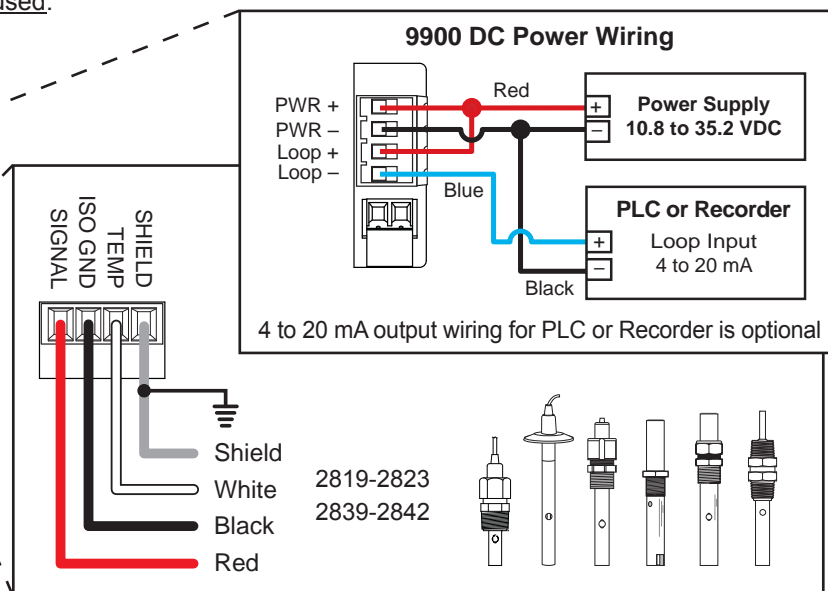
# Signet 9900 Direct Conductivity/Resistivity Module Instruction Sheet

3-9900.092 Rev. B 06/15

To interface a stand-alone conductivity sensor (2819-2823 or 2839-2842) to the 9900, the 3-9900.394 Direct Conductivity Module must be used.



Angle Adapter (3-9900.396) required for 9900-1 Field Mount installation.



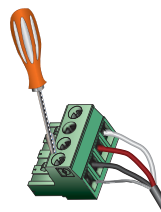
Mfr. Part No.	Code	Description
3-9900.394	159 001 669	Direct Conductivity/Resistivity Module
6682-0204	159 001 709	Conductivity Module Plug, 4 Pos, Right Angle

## Module Installation

- Signet Conductivity Module cannot operate when using loop power and requires an external DC power supply to be used with the 9900 Transmitter.
  - If the 9900-1P Base Unit will be mounted in a panel, plug-in modules may be installed either before or after the base unit is mounted.
  - If the 9900-1P Base Unit will be mounted using the Wall Mount Accessory Kit (3-9900.392), install plug-in modules first.
1. Remove power from the 9900.
  2. Carefully align pins and connectors. Do not bend connecting pins.
  3. Push module firmly into place, then attach with screw.

## Wiring Tips

- Terminals accept 16 to 28 AWG wire.
- Sensor cable length can be extended to 30 m (100 ft). Except 2819 and 2839, limited to 4.6 m (15 ft).
- Do not allow any AC leads that may be connected to the internal relays to come in contact with low voltage wiring.



## Avoid Electrostatic Discharge (ESD):

- Minimize handling of module to reduce the possibility of damage due to ESD.
- Handle module by the edges. Never touch any exposed circuitry or contacts.
- Wear an anti-static wristband or stand on an anti-static mat, or keep one hand touching a properly grounded pipe or other properly grounded piece of metal when handling module.

For more information, please download the full 9900 Transmitter manual at [www.gfsignet.com](http://www.gfsignet.com)