

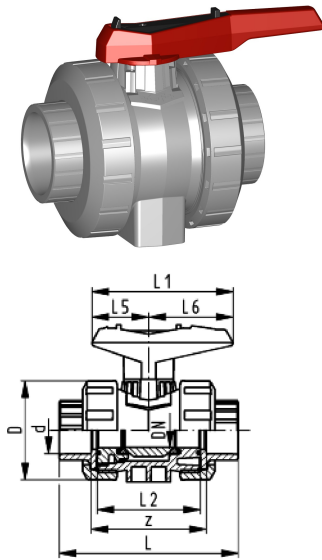
## Ball valve type 546 PVC-C With solvent cement sockets metric

### Model:

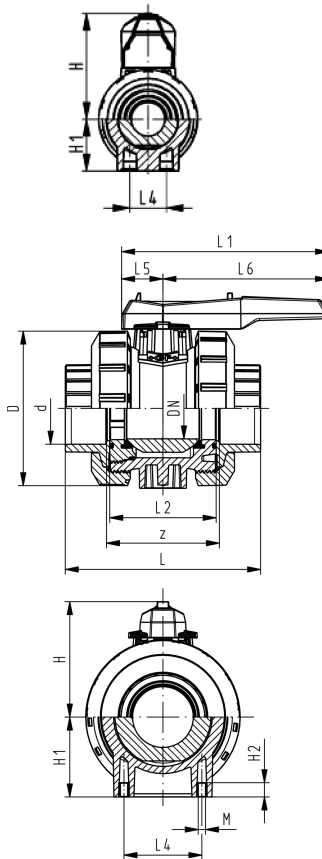
- For easy installation and removal
- Ball seals PTFE
- Without mounting inserts
- z-dimension, valve end and union nut are **not compatible** with type 346 (DN10/15-50) resp. type 370 (DN65-100)

### Option:

- Individual configuration of the valve (see diagram)
- Multifunctional module with integrated limit switches
- Pneumatic or electric actuators from +GF+



d (mm)	DN (mm)	PN (bar)	kv-value ( $\Delta p=1$ bar) (l/min)	EPDM Code	SP	Weight (kg)	FPM Code	SP	Weight (kg)
16	10	16	71	163 546 001	1	0.160	163 546 011	1	0.160
20	15	16	185	163 546 002	1	0.163	163 546 012	1	0.160
25	20	16	350	163 546 003	1	0.252	163 546 013	1	0.245
32	25	16	700	163 546 004	1	0.362	163 546 014	1	0.366
40	32	16	1000	163 546 005	1	0.638	163 546 015	1	0.660
50	40	16	1600	163 546 006	1	0.891	163 546 016	1	0.890
63	50	16	3100	163 546 007	1	1.644	163 546 017	1	1.652
75	65	16	5000	163 546 008	1	4.069	163 546 018	1	5.300
90	80	16	7000	163 546 009	1	6.023	163 546 019	1	8.000
110	100	16	11000	163 546 010	1	10.457	163 546 020	1	12.700



d (mm)	D (mm)	H (mm)	H1 (mm)	L (mm)	L1 (mm)	L2 (mm)	L4 (mm)	L5 (mm)	L6 (mm)	z (mm)	closest inch (inch)
16	50	57	27	92	77	56	25	32	45	64	3/8
20	50	57	27	95	77	56	25	32	45	64	1/2
25	58	67	30	110	97	65	25	39	58	72	3/4
32	68	73	36	123	97	71	25	39	58	79	1
40	84	90	44	146	128	85	45	54	74	94	1 1/4
50	97	97	51	157	128	89	45	54	74	95	1 1/2
63	124	116	64	183	152	101	45	66	87	107	2
75	166	149	85	233	270	136	70	64	206	144	2 1/2
90	200	161	105	254	270	141	70	64	206	151	3
110	238	178	123	301	320	164	120	64	256	174	4

# Datasheet

valid from: 11/27/15

---



The technical data are not binding. They neither constitute expressly warranted characteristics nor guaranteed properties nor a guaranteed durability. They are subject to modification. Our General Terms of Sale apply.

Georg Fischer Piping Systems Ltd, Postfach, CH-8201 Schaffhausen/Switzerland

Phone +41 -(0)52-631 1111

e-mail: [info.ps@georgfischer.com](mailto:info.ps@georgfischer.com)

Internet: <http://www.gfps.com>