



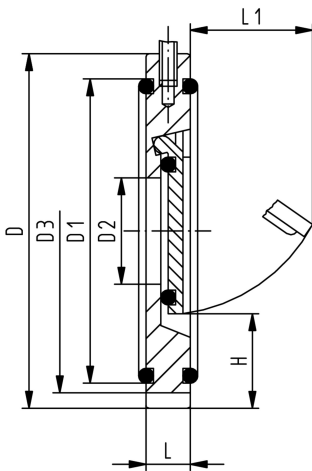
PROGEF Standard Wafer check valve type 369 Without spring

Model:

- Material: PP-H
- Supporting eyelets for simple fitting
- Suitable for vertical and horizontal mounting

Installation instruction:

- Installation between ISO/DIN (all dimensions) and ANSI flange adaptors (all except DN32 and DN125)
- Installation with ANSI flange adaptor: for wafer check valves DN40 to DN80 you have to use ANSI flange adaptors with the next bigger dimension (example DN40 wafer check valve between DN50 ANSI flange adaptor)
- Centering by body diameter (ISO/DIN by D3, ANSI by D)
- It is necessary to use a special outlet flange adaptor PP or PE on the outgoing side of the wafer check valve
- Sealing with special flange gasket (except DN32, o-ring)
- A stabilizing zone of at least 5 times nominal diameter (DN) should be provided before and after the wafer check valve (10 times DN is recommended)
- No direct installation on pump flange or following bend allowed
- Wafer check valves without reset spring are not recommended for pulsating flows (production of noise)



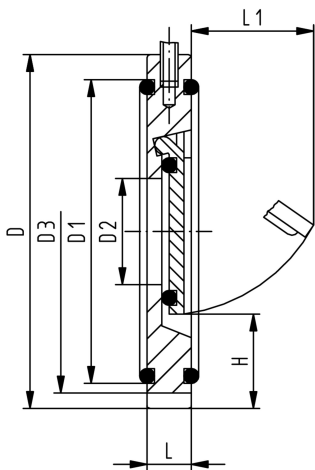
d [mm]	DN [mm]	PN [bar]	EPDM Code	SP	Weight [kg]	FPM Code	SP	Weight [kg]
40	32	10	167 369 002	1	0.070	167 369 022	1	0.084
50	40	10	167 369 003	1	0.099	167 369 023	1	0.110
63	50	10	167 369 004	1	0.143	167 369 024	1	0.159
75	65	10	167 369 005	1	0.218	167 369 025	1	0.232
90	80	10	167 369 006	1	0.272	167 369 026	1	0.264
110	100	10	167 369 007	1	0.378	167 369 027	1	0.405
140	125	10	167 369 009	1	0.532	167 369 029	1	0.594
160	150	6	167 369 010	1	0.754	167 369 030	1	0.805
225	200	6	167 369 011	1	1.409	167 369 031	1	1.400
280	250	6	167 369 012	1	2.201	167 369 032	1	2.524
315	300	6	167 369 013	1	3.671	167 369 033	1	3.520

d [mm]	D [mm]	D1 [mm]	D2 [mm]	D3 [mm]	H [mm]	L [mm]	L1 [mm]	Opening pressure vertical [mbar]	Opening pressure hor- izontal [mbar]	closest inch [inch]
40	85	59	18	85	25	15	22	10	1	1 ¼
50	105	72	22	95	28	16	27	10	1	1 ½
63	124	86	32	109	29	18	40	10	1	2
75	137	105	40	129	31	20	55	10	1	2 ½
90	175	119	54	144	32	20	67	10	1	3
110	175	146	70	164	31	23	67	10	1	4
140	195	173	92	195	35	23	94	10	1	5
160	222	197	105	220	42	26	100	10	1	6
225	279	255	154	275	38	35	152	18	1	8
280	340	312	192	330	41	40	180	18	1	10
315	410	363	227	380	41	45	215	18	1	12

d [mm]	Minimum water col- umn for sealing [m]
40	3
50	3
63	3
75	3
90	3

Datasheet

valid from: 7/6/15



d [mm]	Minimum water col- umn for sealing [m]	
110	3	
140	3	
160	3	
225	3	
280	3	
315	3	

The technical data are not binding. They neither constitute expressly warranted characteristics nor guaranteed properties nor a guaranteed durability. They are subject to modification. Our General Terms of Sale apply.

Georg Fischer Piping Systems Ltd, Postfach, CH-8201 Schaffhausen/Switzerland
 Phone +41 -(0)52-631 1111
 e-mail: info.ps@georgfischer.com
 Internet: <http://www.gfps.com>