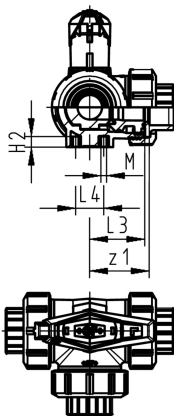
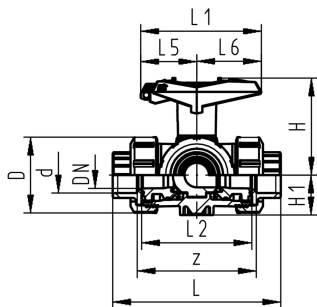
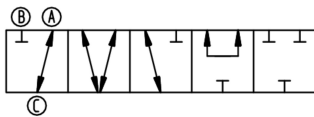
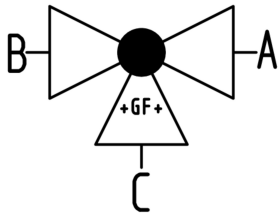


## PROGEF Standard 3-Way ball valve type 543 Horizontal/L-port With lockable handle With fusion sockets metric

### Model:

- Material: PP-H
- For easy installation and removal (valve end and union nut are compatible with type 546)
- Ball seals PTFE
- Pneumatic or electric actuator available separately
- Angle of operation 360° without turn limiter
- Integrated stainless steel mounting inserts
- Multifunctional lever red with ratched setting 45°, lockable
- Delivery status A-C opened, see flow scheme



| d<br>[mm] | DN<br>[mm] | PN<br>[bar] | kv-val-<br>ue ( $\Delta p=1$<br>bar)<br>[l/min] | EPDM<br>Code       | SP | Weight<br>[kg] | FPM<br>Code        | SP | Weight<br>[kg] |
|-----------|------------|-------------|-------------------------------------------------|--------------------|----|----------------|--------------------|----|----------------|
| 16        | 10         | 10          | 50                                              | <b>167 543 561</b> | 1  | 0.170          | <b>167 543 571</b> | 1  | 0.170          |
| 20        | 15         | 10          | 75                                              | <b>167 543 562</b> | 1  | 0.174          | <b>167 543 572</b> | 1  | 0.174          |
| 25        | 20         | 10          | 150                                             | <b>167 543 563</b> | 1  | 0.248          | <b>167 543 573</b> | 1  | 0.248          |
| 32        | 25         | 10          | 280                                             | <b>167 543 564</b> | 1  | 0.372          | <b>167 543 574</b> | 1  | 0.372          |
| 40        | 32         | 10          | 480                                             | <b>167 543 565</b> | 1  | 0.631          | <b>167 543 575</b> | 1  | 0.631          |
| 50        | 40         | 10          | 620                                             | <b>167 543 566</b> | 1  | 0.927          | <b>167 543 576</b> | 1  | 0.927          |
| 63        | 50         | 10          | 1230                                            | <b>167 543 567</b> | 1  | 1.793          | <b>167 543 577</b> | 1  | 1.793          |

| d<br>[mm] | D<br>[mm] | H<br>[mm] | H1<br>[mm] | H2<br>[mm] | L<br>[mm] | L1<br>[mm] | L2<br>[mm] | L3<br>[mm] | L4<br>[mm] | L5<br>[mm] | L6<br>[mm] | M<br>[mm] | z<br>[mm] | z1<br>[mm] |
|-----------|-----------|-----------|------------|------------|-----------|------------|------------|------------|------------|------------|------------|-----------|-----------|------------|
| 16        | 50        | 79        | 28         | 8          | 110       | 87         | 72         | 36         | 25         | 42         | 45         | 6         | 82        | 41         |
| 20        | 50        | 79        | 28         | 8          | 112       | 87         | 72         | 36         | 25         | 42         | 45         | 6         | 82        | 41         |
| 25        | 58        | 88        | 32         | 8          | 129       | 108        | 85         | 43         | 25         | 50         | 58         | 6         | 97        | 49         |
| 32        | 68        | 94        | 36         | 8          | 146       | 108        | 98         | 49         | 25         | 50         | 58         | 6         | 110       | 55         |
| 40        | 84        | 113       | 45         | 9          | 170       | 141        | 118        | 59         | 45         | 66         | 75         | 8         | 132       | 66         |
| 50        | 97        | 119       | 51         | 9          | 193       | 141        | 135        | 68         | 45         | 66         | 75         | 8         | 151       | 76         |
| 63        | 124       | 141       | 65         | 9          | 244       | 165        | 176        | 88         | 45         | 78         | 87         | 8         | 188       | 94         |

| d<br>[mm] | closest<br>inch<br>[inch] |
|-----------|---------------------------|
| 16        | 3/8                       |
| 20        | 1/2                       |
| 25        | 3/4                       |
| 32        | 1                         |
| 40        | 1 1/4                     |
| 50        | 1 1/2                     |
| 63        | 2                         |

The technical data are not binding. They neither constitute expressly warranted characteristics nor guaranteed properties nor a guaranteed durability. They are subject to modification. Our General Terms of Sale apply.

Georg Fischer Piping Systems Ltd, Postfach, CH-8201 Schaffhausen/Switzerland  
 Phone +41 -(0)52-631 1111  
 e-mail: info.ps@georgfischer.com  
 Internet: <http://www.gfps.com>