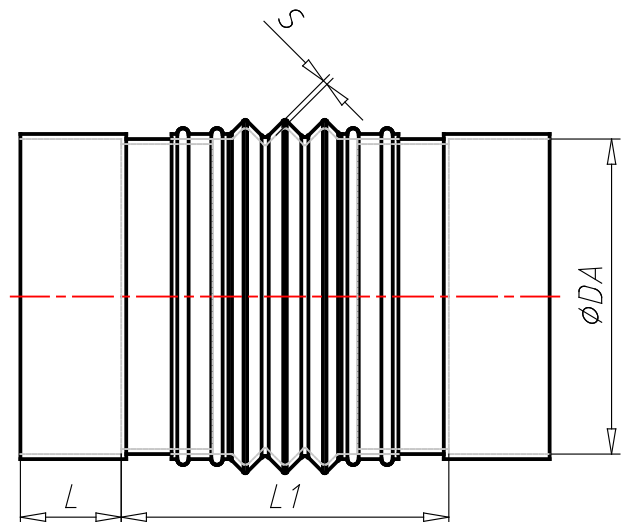


Data sheet HoKa PVC flexible connector with PP sockets Ø 90 mm

Specification

HOKA PVC soft flexible connector both sides with PP-H socket plastic formed part round for connecting pipes and compensation of linear expansion and vibrations in an exhaust system by welding process on the basis of DIN 8077, manufacturing process flexible connector: Ø 75 to 400 mm injection moulding, from Ø 450 mm made of semi-finished products manufacturing process socket: Ø 75 to 400 mm injection moulding, from Ø 450 mm made of semi-finished products Negative overpressure upon request according to mechanical, chemical and thermal load.



Article number (CNSORDERNO)	7001068H
Article (ART)	HoKa PVC flexible connector with PP sockets Ø 90 mm
Weight (CNSMASSEXACT)	0
Material (CNSMAT)	Soft PVC base
Color (FAR)	similar to RAL 7011
Material sockets (MATM)	PP
Color sockets (FARBM)	RAL 7032
Diameter (DA)	90
Length (L)	40
Length (L1)	130
Thickness (S)	2
Wave (W)	3