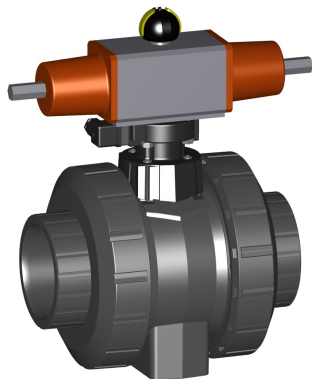


DN10/15 - 50



**Ball valve type 230 PVC-U F0 (Fail safe to open)**  
**Without manual override**  
**With solvent cement sockets metric**

**Model:**

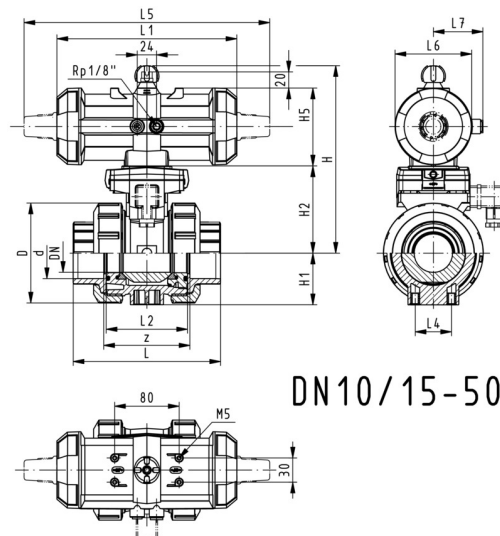
- Control time  $90^\circ <$  1-2s
- Assignment of actuators: PA11 (DN10/15-25), PA21 (DN32-50), PA30 (DN65), PA40 (DN80), PA40 (DN100)
- For easy installation and removal
- Integrated stainless steel mounting inserts

**Option:**

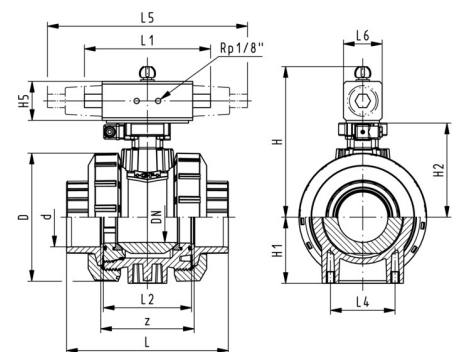
- Individual configuration of the valve (see diagram)

d	DN	PN	kv-value	EPDM	SP	Weight	FKM	SP	Weight
(mm)	(mm)	(bar)	( $\Delta p=1$ bar)	Code		(kg)	Code		(kg)
			(L/min)						
16	10	10	70	199 230 162	0	1.159	199 230 172	0	1.159
20	15	10	185	199 230 163	1	1.159	199 230 173	1	1.159
25	20	10	350	199 230 164	1	1.128	199 230 174	1	1.276
32	25	10	700	199 230 165	1	1.400	199 230 175	1	1.400
40	32	10	1000	199 230 166	1	2.184	199 230 176	1	2.451
50	40	10	1600	199 230 167	1	2.388	199 230 177	0	2.773
63	50	10	3100	199 230 168	1	3.156	199 230 178	0	3.631
75	65	10	5000	199 230 169	1	7.800	199 230 179	1	7.800
90	80	10	7000	199 230 170	1	10.200	199 230 180	1	10.200
110	100	10	11000	199 230 171	1	15.500	199 230 181	1	15.500

d	D	H	H1	H2	H5	L	L1	L2	L4	L5	L6	L7	z	closest inch
(mm)	(mm)	(mm)	(mm)	(mm)	(mm)	(mm)	(mm)	(mm)	(mm)	(mm)	(mm)	(mm)	(mm)	(inch)
16	50	159	27	62	77	92	194	56	25	261	76	48	64	$\frac{3}{8}$
20	50	159	27	62	77	95	194	56	25	261	76	48	64	$\frac{1}{2}$
25	58	168	30	71	77	110	194	65	25	261	76	48	72	$\frac{3}{4}$
32	68	168	36	71	77	123	194	71	25	261	76	48	79	1
40	84	202	44	84	99	146	224	85	45	305	95	59	94	1 $\frac{1}{4}$
50	97	202	51	84	99	157	224	89	45	305	95	59	95	1 $\frac{1}{2}$
63	124	225	64	106	99	183	224	101	45	305	95	59	107	2
75	166	262	85	156	70	233		136	70	276	65		144	2 $\frac{1}{2}$
90	200	281	105	168	78	254		141	70	341	72		151	3
110	238	292	123	175	86	301		164	120	369	80		174	4



DN10/15-50



DN65-100

# Data sheet

valid from: 6/30/17

---



The technical data are not binding. They neither constitute expressly warranted characteristics nor guaranteed properties nor a guaranteed durability. They are subject to modification. Our General Terms of Sale apply.

Georg Fischer Piping Systems Ltd, Postfach, CH-8201 Schaffhausen/Switzerland

Phone +41 -(0)52-631 1111

e-mail: [info.ps@georgfischer.com](mailto:info.ps@georgfischer.com)

Internet: <http://www.gfps.com>