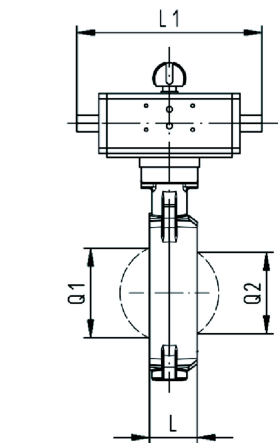
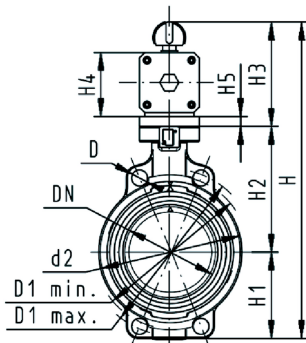


**Butterfly valve type 240 PVC-U  
DA (Double acting)  
Without manual override**

**Model:**

- Control range 90°<
- Up to DN 300: Overall length according to EN558 (DN 50-200: line 25, DN250, 300 line 16), ISO 5752
- Connecting dimension: ISO 7005 PN 10, EN 1092 PN 10, DIN 2501 PN 10, ANSI/ASME B 16.5 Class 150, BS 1560: 1989, BS 4504, JIS B 2220
- For DN350-DN400 pneumatic actuator supplied by Revac



| d<br>(mm) | Size<br>(inch) | DN<br>(mm) | PN<br>(bar) | kv-value<br>( $\Delta p=1$ bar)<br>(L/min) | EPDM<br>Code | SP | Weight<br>(kg) | FKM<br>Code | SP | Weight<br>(kg) |
|-----------|----------------|------------|-------------|--|--------------|----|----------------|-------------|----|----------------|
| 63        | 2              | 50         | 10          | 1470                                       | 199 240 082  | 1  | 2.936          | 199 240 102 | 0  | 2.072          |
| 75        | 2 ½            | 65         | 10          | 2200                                       | 199 240 083  | 1  | 2.402          | 199 240 103 | 0  | 2.176          |
| 90        | 3              | 80         | 10          | 3000                                       | 199 240 084  | 1  | 3.330          | 199 240 104 | 0  | 2.824          |
| 110       | 4              | 100        | 10          | 6500                                       | 199 240 085  | 1  | 3.765          | 199 240 105 | 1  | 3.563          |
| 140       | 5              | 125        | 10          | 11500                                      | 199 240 086  | 1  | 4.341          | 199 240 106 | 1  | 4.384          |
| 160       | 6              | 150        | 10          | 16600                                      | 199 240 087  | 1  | 7.042          | 199 240 107 | 1  | 6.694          |
| 225       | 8              | 200        | 10          | 39600                                      | 199 240 088  | 1  | 8.907          | 199 240 108 | 0  | 8.134          |
| 280       | 10             | 250        | 10          | 55200                                      | 199 240 089  | 1  | 18.948         | 199 240 109 | 1  | 19.100         |
| 315       | 12             | 300        | 10          | 80000                                      | 199 240 090  | 1  | 26.800         | 199 240 110 | 1  | 27.000         |

| d<br>(mm) | Actuator unit<br>type | d2<br>(mm) | D<br>(mm) | D1<br>min.<br>(mm) | D1<br>max.<br>(mm) | H<br>(mm) | H1<br>(mm) | H2<br>(mm) | H3<br>(mm) | H4<br>(mm) | H5<br>(mm) | L<br>(mm) | L1<br>(mm) |
|-----------|-----------------------|------------|-----------|--------------------|--------------------|-----------|------------|------------|------------|------------|------------|-----------|------------|
| 63        | PA-35 DA              | 104        | 19        | 120                | 125                | 317       | 77         | 134        | 107        | 60         | 15         | 45        | 177        |
| 75        | PA-35 DA              | 115        | 19        | 140                | 145                | 330       | 83         | 140        | 107        | 60         | 15         | 46        | 177        |
| 90        | PA-40 DA              | 131        | 19        | 150                | 160                | 348       | 89         | 146        | 113        | 66         | 15         | 49        | 190        |
| 110       | PA-45 DA              | 161        | 19        | 175                | 191                | 372       | 104        | 167        | 102        | 71         |            | 56        | 235        |
| 140       | PA-45 DA              | 187        | 23        | 210                | 216                | 408       | 117        | 181        | 111        | 78         |            | 64        | 235        |
| 160       | PA-55 DA              | 215        | 24        | 241                | 241                | 448       | 130        | 189        | 129        | 86         |            | 72        | 279        |
| 225       | PA-55 DA              | 267        | 23        | 290                | 295                | 507       | 158        | 210        | 139        | 96         |            | 73        | 279        |
| 280       | PA-65 DA              | 329        | 25        | 353                | 362                | 748       | 205        | 264        | 161        | 118        |            | 113       | 350        |
| 315       | PA-70 DA              | 379        | 25        | 400                | 432                | 816       | 228        | 285        | 173        | 130        |            | 113       | 381        |

| d<br>(mm) | Q1<br>(mm) | Q2<br>(mm) |
|-----------|------------|------------|
| 63        | 40         |            |
| 75        | 54         | 35         |
| 90        | 67         | 50         |
| 110       | 88         | 74         |
| 140       | 113        | 97         |
| 160       | 139        | 123        |
| 225       | 178        | 169        |
| 280       | 210        | 207        |
| 315       | 256        | 253        |

The technical data are not binding. They neither constitute expressly warranted characteristics nor guaranteed properties nor a guaranteed durability. They are subject to modification. Our General Terms of Sale apply.

Georg Fischer Piping Systems Ltd, Postfach, CH-8201 Schaffhausen/Switzerland

Phone +41 -(0)52-631 1111

e-mail: info.ps@georgfischer.com

# Data sheet

valid from: 9/14/18

---



Internet: <http://www.gfps.com>